

Falkland Floor



IP20 

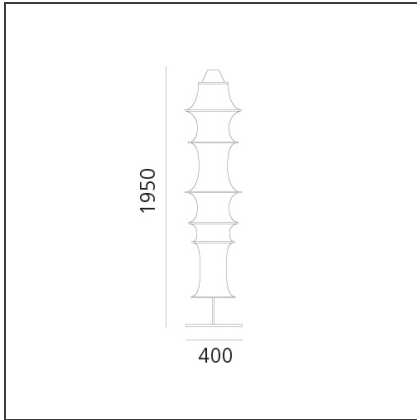
DISEÑO

Bruno Munari

ESPECIFICACIONES

Falkland floor is a lamp with a spontaneous shape that is achieved by the contrasting forces of its components: the tension of a stretched tube of finely woven fabric and the weight of seven different sized metal rings. A single light bulb and aluminium reflector illuminate the curves of the fabric.

DISEÑOS TÉCNICOS



CARACTERÍSTICAS

| | | | |
|-----------------------------|-------------------------|------------------|----------------|
| Código del artículo: | DS2040BAR00 | Material: | Filanca, steel |
| Color: | White/Alluminum gray | Serie: | Design, Danese |
| Instalación: | Pie | | |
| Entorno de uso: | Interior | | |

DIMENSIONES

| | |
|-----------------------|--------|
| Altura: | cm 195 |
| Diámetro base: | cm 40 |

LÁMPARAS NO INCLUIDAS

| | | | |
|----------------------|------|---------------|---|
| Categoría: | HALO | Class: | A |
| Numero: | 1 | | |
| Potencia (W): | 77W | | |
| Soporte: | E27 | | |

ALTERNATIVE SOURCES

| | |
|----------------------|-----|
| Categoría: | LED |
| Numero: | 1 |
| Potencia (W): | 8W |
| Tipología: | 2 |
| Soporte: | E27 |
| Class: | A |

LUMINARIA

| | |
|----------------------|-----|
| Potencia (W): | 77W |
|----------------------|-----|

Notas

Code related only to electrical part and alluminum gray rod.

ACCESORIOS

Fireproof fabric
165 + metal hoops
inox
DS2040CRCI



Fabric 165 + metal
hoops inox
DS2040CRC